

MAGNATIC

PRISMA DRIVER 8IP



User Manual

©2023 **MAGMATIC EFFECTS** all rights reserved. Information, specifications, diagrams, images, and instructions herein are subject to change without notice. **MAGMATIC EFFECTS** logo and identifying product names and numbers herein are trademarks of **MAGMATIC EFFECTS**. Copyright protection claimed includes all forms and matters of copyrightable materials and information now allowed by statutory or judicial law or hereinafter granted. Product names used in this document may be trademarks or registered trademarks of their respective companies and are hereby acknowledged. All non-MAGMATIC brands and product names are trademarks or registered trademarks of their respective companies.

MAGMATIC EFFECTS and all affiliated companies hereby disclaim any and all liabilities for property, equipment, building, and electrical damages, injuries to any persons, and direct or indirect economic loss associated with the use or reliance of any information contained within this document, and/or as a result of the improper, unsafe, insufficient and negligent assembly, installation, rigging, and operation of this product.

MAGMATIC EFFECTS | 6122 S. Eastern Ave. | Los Angeles, CA. 90040
323-582-3322 | 323-832-9142 fax | www.elationlighting.com | sales@magmaticeffects.com

Elation Professional B.V. | Junostraat 2 | 6468 EW Kerkrade, The Netherlands
+31 45 546 85 66 | +31 45 546 85 96 fax | www.elationlighting.eu | info@elationlighting.eu

Elation Professional Mexico | AC Santa Ana 30 | Parque Industrial Lerma, Lerma, Mexico 52000
+52 (728) 282-7070

DOCUMENT VERSION



Due to additional product features and/or enhancements, an updated version of this document may be available online.

Please check www.elationlighting.com for the latest revision/update of this manual before beginning installation and/or programming.

| Date | Document Version | Software Version | DMX Channel Mode | Notes |
|------------|------------------|------------------|------------------|----------------------------------------------|
| 09/27/2021 | 1.0 | 1.01 | 8/9/12 Channels | Initial Release |
| 11/03/2021 | 1.1 | N/C | No Change | Updated Safety Guidelines |
| 05/25/2021 | 1.2 | N/C | No Change | Updated Box Contents |
| 10/24/2022 | 1.3 | N/C | No Change | Updated Dimensional Drawings, Specifications |
| 04/24/2023 | 1.4 | N/C | No Change | Added Optional Accessories |

CONTENTS

| | |
|-----------------------------------------|-----------|
| General Information | 4 |
| Limited Warranty (USA Only) | 5 |
| Warranty Returns (USA Only) | 6 |
| Safety Guidelines | 7 |
| Maintenance Guidelines | 9 |
| Overview | 10 |
| Installation Instructions | 11 |
| System Menu | 13 |
| DMX Channel Functions and Values | 17 |
| Dimmer Modes | 19 |
| Specifications | 20 |
| Dimensional Drawings | 21 |
| Optional Accessories | 22 |

GENERAL INFORMATION

INTRODUCTION

Please read and understand the instructions in this manual carefully and thoroughly before attempting to operate this device. These instructions contain important safety and use information.

UNPACKING

Every device has been thoroughly tested and has been shipped in perfect operating condition. Carefully check the shipping carton for damage that may have occurred during shipping. If the carton is damaged, carefully inspect the device for damage, and be sure all accessories necessary to install and operate the device have arrived intact. In the event that damage has been found or parts are missing, please contact our customer support team for further instructions. Please do not return this device to your dealer without first contacting customer support. Please do not discard the shipping carton in the trash. Please recycle whenever possible.

BOX CONTENTS

Twist-locking power cable (1x)
4-pin connectors (8x)

CUSTOMER SUPPORT

Contact **MAGMATIC** customer service for any product related service and support needs. Also visit forums.elationlighting.com with questions, comments, or suggestions.

ELATION SERVICE USA - Monday - Friday 8:00am to 4:30pm PST
323-582-3322 | Fax 323-832-9142 | sales@magmaticeffects.com

ELATION SERVICE EUROPE - Monday - Friday 08:30 to 17:00 CET
Voice: +31 45 546 85 63 | Fax: +31 45 546 85 96 | support@elationlighting.eu

REPLACEMENT PARTS: Please visit parts.elationlighting.com



IMPORTANT NOTICE

THERE ARE NO USER SERVICEABLE PARTS INSIDE THIS UNIT. DO NOT ATTEMPT ANY REPAIRS YOURSELF. DOING SO WILL VOID YOUR MANUFACTURER'S WARRANTY. DAMAGES RESULTING FROM MODIFICATIONS TO THIS FIXTURE AND/OR THE DISREGARD OF SAFETY INSTRUCTIONS AND GUIDELINES IN THIS MANUAL VOID THE MANUFACTURER'S WARRANTY AND ARE NOT SUBJECT TO ANY WARRANTY CLAIMS AND/OR REPAIRS.

LIMITED WARRANTY (USA ONLY)

- A. Magmatic Effects hereby warrants, to the original purchaser, Magmatic products to be free of manufacturing defects in material and workmanship for a period of two years (730 days) from the original date of purchase. This warranty excludes discharge lamps and all product accessories. This warranty shall be valid only if the product is purchased within the United States of America, including possessions and territories. It is the owner's responsibility to establish the date and place of purchase by acceptable evidence, at the time service is sought.
- B. For warranty service, send the product only to the Magmatic Effects factory. All shipping charges must be pre-paid. If the requested repairs or service (including parts replacement) are within the terms of this warranty, Magmatic Effects will pay return shipping charges only to a designated point within the United States. If any product is sent, it must be shipped in its original package and packaging material. No accessories should be shipped with the product. If any accessories are shipped with the product, Magmatic Effects shall have no liability what so ever for loss and/or or damage to any such accessories, nor for the safe return thereof.
- C. This warranty is void if the product serial number and/or labels are altered or removed; if the product is modified in any manner which Magmatic Effects concludes, after inspection, affects the reliability of the product; if the product has been repaired or serviced by anyone other than the Magmatic Effects factory unless prior written authorization was issued to purchaser by Magmatic Effects; if the product is damaged because not properly maintained as set forth in the product instructions, guidelines and/or user manual.
- D. This is not a service contract, and this warranty does not include any maintenance, cleaning or periodic check-up. During the periods as specified above, Magmatic Effects will replace defective parts at its expense, and will absorb all expenses for warranty service and repair labor by reason of defects in material or workmanship. The sole responsibility of Magmatic Effects under this warranty shall be limited to the repair of the product, or replacement thereof, including parts, at the sole discretion of Magmatic Effects. All products covered by this warranty were manufactured after January 1, 1990, and bear identifying marks to that effect.
- E. Magmatic Effects reserves the right to make changes in design and/or performance improvements upon its products without any obligation to include these changes in any products theretofore manufactured.
- F. No warranty, whether expressed or implied, is given or made with respect to any accessory supplied with the products described above. Except to the extent prohibited by applicable law, all implied warranties made by Magmatic Effects in connection with this product, including warranties of merchantability or fitness, are limited in duration to the warranty periods set forth above. And no warranties, whether expressed or implied, including warranties of merchantability or fitness, shall apply to this product after said periods have expired. The consumer's and/or dealer's sole remedy shall be such repair or replacement as is expressly provided above; and under no circumstances shall Magmatic Effects be liable for any loss and/or damage, direct and/or consequential, arising out of the use of, and/or the inability to use, this product.
- G. This warranty is the only written warranty applicable to Magmatic Effects products and supersedes all prior warranties and written descriptions of warranty terms and conditions heretofore published.

WARRANTY RETURNS (USA ONLY)

To obtain warranty service, a Return Material Authorization (RMA) number must first be obtained from MAGMATIC. It is the Customer's responsibility to provide product proof of purchase and serial number by acceptable evidence such as an invoice copy or an approved MAGMATIC Extended Warranty Certificate ("EWC") and any relevant maintenance records at the time warranty service is sought. Failure to provide acceptable evidence of product proof of purchase or EWC and any relevant maintenance records may be cause for denial of warranty service.

Products returned for warranty service must be sent without any accessories (i.e., power, data, and safety cables, brackets, clamps, rigging hardware, frost filters, gel frames, barn doors, lenses, hoses, nozzles, rack mounting hardware, etc.), must be boxed using the original and/or suitable packaging materials (double-box and foam) that provides ample product protection for ground and/or air freight transit, and must be shipped freight pre-paid and insured to MAGMATIC in Los Angeles, CA or a MAGMATIC Authorized Service Center. The RMA number must be clearly written on the outside of the return box, and a brief description of the problem and the RMA number must be documented and included in the box.

Products returned for warranty service without an RMA number clearly marked on the outside of the package will be refused and returned to the shipper at the Customer's expense. Products returned for warranty service, which are received damaged due to inadequate and/or improper packaging and/or due to damage caused by the shipping carrier, may incur additional repair charges before warranty service begins and/or may void this warranty. If any product accessories (included and/or optional) are shipped with the product, MAGMATIC and/or the MAGMATIC Authorized Service Center shall have no liability what so ever for the loss and/or damage to any such accessories, nor the safe return thereof. If the requested warranty repairs or service (including parts replacement) are within the terms of this warranty, MAGMATIC will pay return ground transportation shipping charges to a single designated point within the United States.

SAFETY GUIDELINES

This fixture is a sophisticated piece of electronic equipment. To guarantee smooth operation, it is important to follow all instructions and guidelines in this manual. Magmatic Effects is not responsible for injury and/or damages resulting from the misuse of this fixture due to the disregard of the information printed in this manual. Only qualified and/or certified personnel should perform installation of this fixture and only the original rigging parts included with this fixture should be used for installation. Any modifications to the fixture and/or the included mounting hardware will void the original manufacturer's warranty and increase the risk of damage and/or personal injury.



PROTECTION CLASS 1 - MUST BE PROPERLY GROUNDED.



THERE ARE NO USER SERVICEABLE PARTS INSIDE THIS UNIT. DO NOT ATTEMPT ANY REPAIRS YOURSELF. DOING SO WILL VOID YOUR MANUFACTURER'S WARRANTY. DAMAGES RESULTING FROM MODIFICATIONS TO THIS DEVICE AND/OR THE DISREGARD OF SAFETY INSTRUCTIONS AND GUIDELINES IN THIS MANUAL VOID THE MANUFACTURER'S WARRANTY AND ARE NOT SUBJECT TO ANY WARRANTY CLAIMS AND/OR REPAIRS.



**DO NOT PLUG THIS UNIT INTO A DIMMER PACK
NEVER OPEN WHILE IN USE!
UNPLUG POWER BEFORE SERVICING!
NEVER TOUCH DURING OPERATION, AS SURFACE OF DEVICE MAY BE HOT!
KEEP FLAMMABLE MATERIALS AWAY FROM DEVICE!**



FIXTURE IS COMPLETELY DUST TIGHT AND PROTECTED AGAINST LOW PRESSURE WATER JETS FROM ANY DIRECTION. INTENDED FOR TEMPORARY OUTDOOR USE ONLY!

SAFETY GUIDELINES

- Be sure to save the packing carton in the unlikely event the device may have to be returned for service.
- Be sure that the local power outlet matches the required voltage for the device.
- Do not open up the device under any conditions. There are no user serviceable parts inside.
- Disconnect the device's main power when left unused for long periods of time.
- Never connect this device to a dimmer pack.
- Do not attempt to operate this device if it has been damaged in any way.
- Never operate this device with the cover removed.
- Do not attempt to operate this device if the power cord has been frayed or broken. Do not attempt to remove or break off the ground prong from the electrical cord. This prong is used to reduce the risk of electrical shock and fire in case of an internal short.
- Disconnect from main power before making any type of connection.
- Never block the ventilation holes. Always be sure to mount this device in an area that will allow proper ventilation. Allow about 6" (15cm) between this device and a wall.
- Always mount this unit in a safe and stable matter.
- Please route your power cord out of the way of foot traffic. Power cords should be routed so they are not likely to be walked on, or pinched by items placed upon or against them.
- **Keep flammable materials away from this fixture!**
- **IP65 Rating: Fixture is dust-tight, and protected against water projected by a low pressure nozzle from any direction. FIXTURE IS NOT PROTECTED AGAINST IMMERSION IN LIQUID OF ANY KIND, AND IS INTENDED FOR TEMPORARY OUTDOOR USE ONLY!**
- The device should be serviced by qualified service personnel when:
 - A. The power-supply cord or the plug has been damaged.
 - B. Objects have fallen on, or liquid has been spilled into, the device.
 - C. The device has been immersed in liquid or exposed to powerful water jets or sprays.
 - D. The appliance does not appear to operate normally or exhibits a marked change in performance.

MAINTENANCE GUIDELINES



DISCONNECT POWER BEFORE PERFORMING ANY MAINTENANCE!

CLEANING

Frequent cleaning is recommended to ensure proper function and an extended life. The frequency of cleaning depends on the environment in which the driver operates: damp, smoky, or particularly dirty environments can cause greater accumulation of dirt on the driver. Clean the external surface periodically with a soft cloth to avoid dirt/debris accumulation.

NEVER use alcohol, solvents, or ammonia-based cleaners.

MAINTENANCE

Regular inspections are recommended to ensure proper function and extended life.

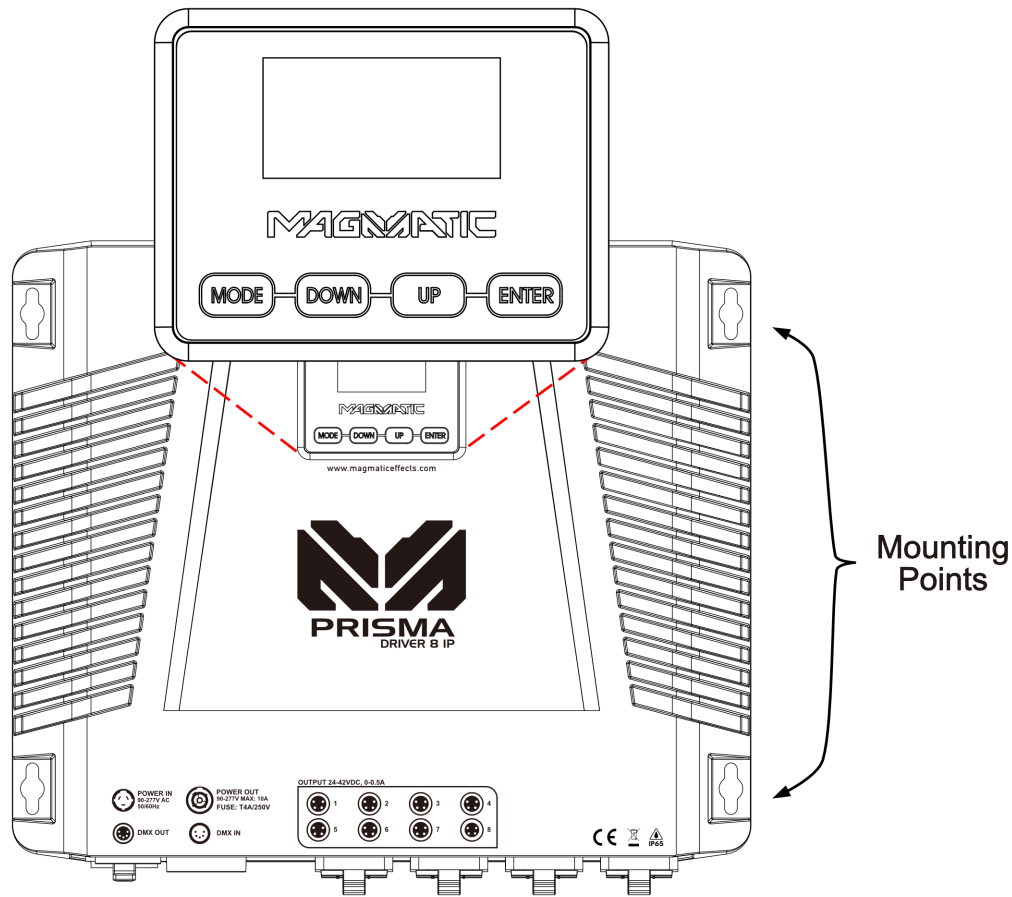
There are no user serviceable parts inside this driver, please refer all other service issues to an authorized MAGMATIC service technician. Should you need any spare parts, please order genuine parts from your local MAGMATIC dealer.

Please refer to the following points during routine inspections:

- A detailed electrical check by an approved electrical engineer every three months, to make sure the circuit contacts are in good condition in order to prevent overheating.
- Be sure all screws and fasteners are securely tightened at all times. Loose screws may fall out during normal operation, resulting in damage or injury as larger parts could fall.
- Check for any deformations on the housing, rigging hardware, and rigging points (ceiling, suspension, trussing). Deformations in the housing could allow for dust or liquids to enter into the driver. Damaged rigging points or unsecured rigging could cause the driver to fall and seriously injure a person(s).
- Electric power supply cables must not show any damage, material fatigue, or sediments.

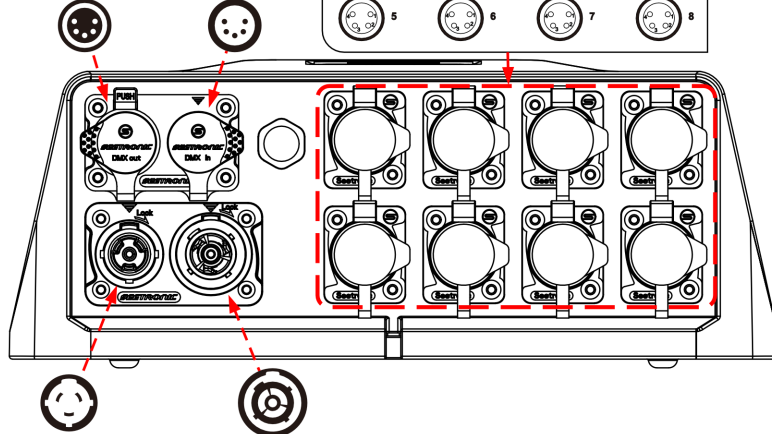
NEVER remove the ground prong from the power cable.

OVERVIEW



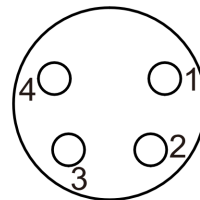
OUTPUT 24-42VDC, 0-0.5A
(8x 4pin output sockets)

DMX OUT DMX IN

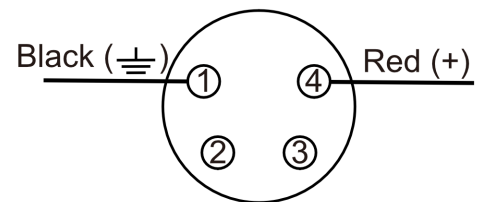


POWER IN 90-277VAC 50/60Hz
POWER OUT 90-277V MAX: 10A FUSE: T4A/250V

4 Pin Output Socket



4 Pin Connector



Note: Pin 1 is Ground (\perp) and Pin 4 is Positive (+)

INSTALLATION INSTRUCTIONS



FLAMMABLE MATERIAL WARNING

Keep driver a minimum of 5.0 feet (1.5m) away from flammable materials and/or pyrotechnics.



ELECTRICAL CONNECTIONS

A qualified electrician should be used for all electrical connections and/or installations.



DO NOT INSTALL THE DRIVER IF YOU ARE NOT QUALIFIED TO DO SO!

Driver **MUST** be installed following all local, national, and country commercial electrical and construction codes and regulations.

Before rigging/mounting a single device or multiple interconnected devices for custom matrix designs to any metal truss/structure or placing the device(s) on any surface, a professional equipment installer **MUST** be consulted to determine if the metal truss/structure or surface is properly certified to safely hold the combined weight of the device(s), clamps, cables, and accessories.

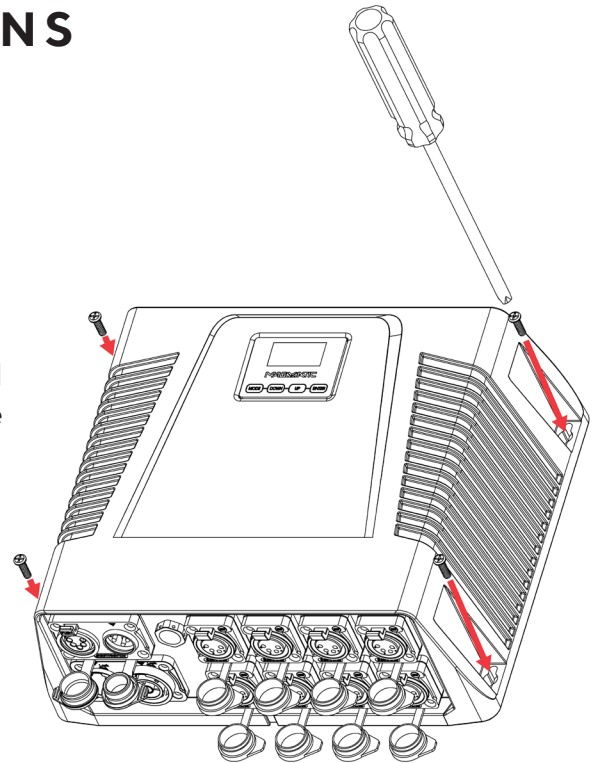
Ambient operating temperature range is from **-4°F (-20°C) to 122°F (50°C)**. Do not operate this device when ambient temperature falls outside this range.

Device(s) should be installed in areas outside walking paths, seating areas, or away from areas where unauthorized personnel might reach the device(s) by hand.

INSTALLATION INSTRUCTIONS

MOUNTING

The driver may be secured to a surface or mounting rail by using the four (4) mounting points located on the integrated mounting brackets on either side of the driver.



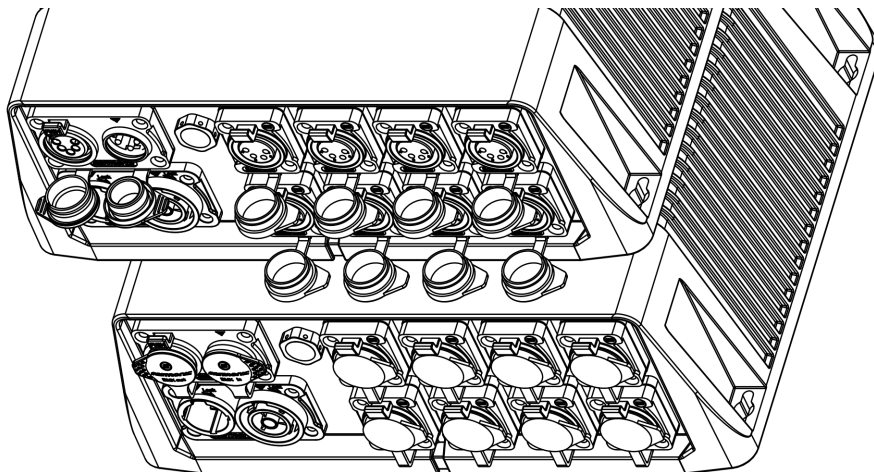
CONNECTIONS

This driver features eight (8) 4-pin locking output sockets, each of which can accommodate a connection to a single Magmatic Prisma Mini series lighting fixture.

This driver is suitable for use with the following Magmatic lighting fixtures:

- **Prisma Mini BAR 20**
- **Prisma Mini PAR 20**
- **Prisma Mini PAR 45**

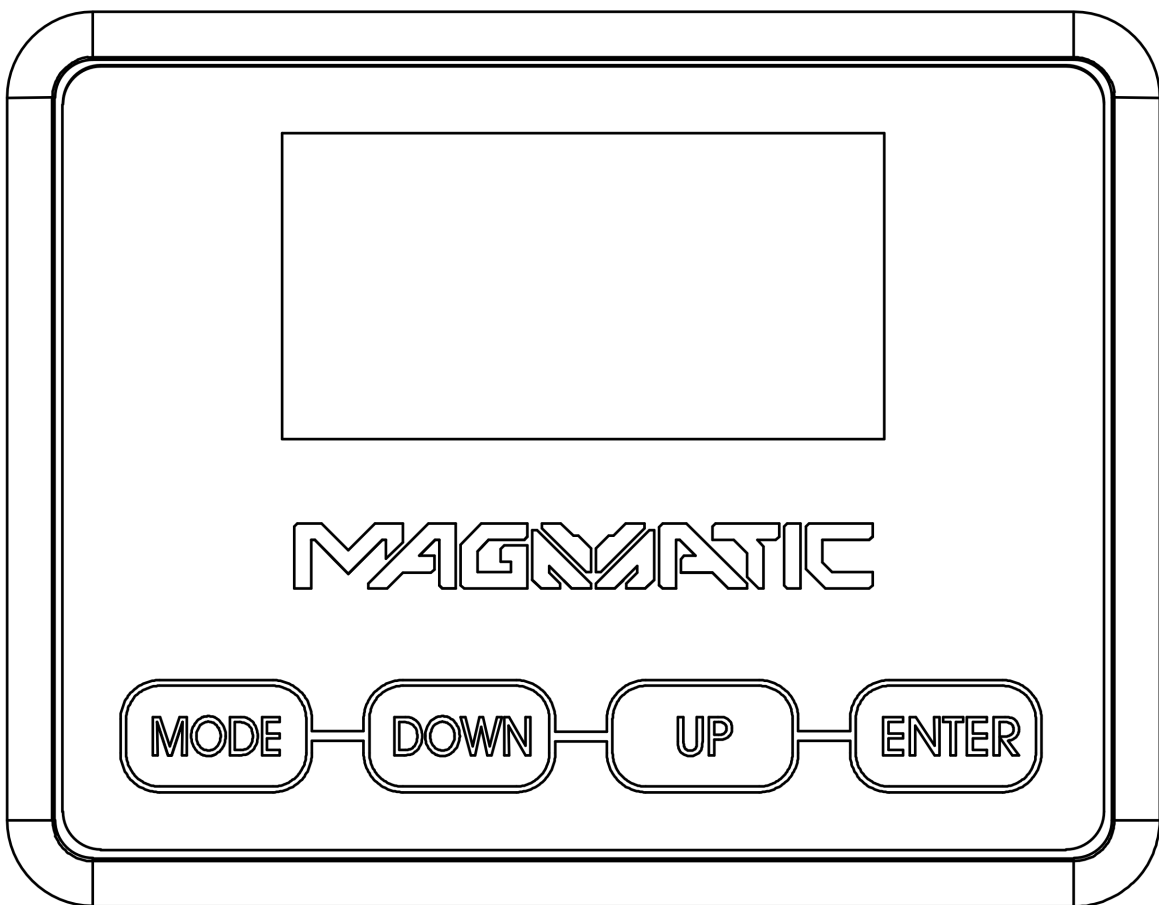
Each output socket features a waterproof cap, which must be fitted in place over the socket when not in use in order to maintain the device's IP65 rating.



SYSTEM MENU

The fixture includes an easy to navigate system menu. The control panel (see image below) located on the fixture provides access to the main system menu, where all necessary system adjustments can be made. During normal operation, pressing **MODE** button once will access the fixture's main menu. Once in the main menu you can navigate through the different functions and access the sub-menus with the **UP** and **DOWN** buttons. Once you reach a field that requires adjusting, press the **ENTER** button to activate that field and use the **UP** and **DOWN** buttons to adjust the field. Pressing the **ENTER** button once more will confirm your setting. You may exit the main menu at any time without making any adjustments by pressing the **MODE** button.

The display screen will automatically time out after an extended period of inactivity. To unlock the display screen, simply press and hold the **MODE** until the display screen unlocks.



SYSTEM MENU

| Magmatic Prisma Driver 8IP System Menu | | | | |
|-----------------------------------------|-----------------|-----------------|-----------------------|---------------------------------------------------------|
| Default settings shown in bold | | | | |
| Supports Software Versions: 1.01 | | | | |
| ADDRESS | Address XXX | 001 - 504 | | |
| USER MODE | Basic | | | |
| | Standard | | | |
| | Extended | | | |
| FUNCTION | Status | Lost DMX | Black | |
| | | | Hold | |
| | LCD Set | Display | On / Off | 30-second screen time-out |
| | | Key Lock | On1 / On / Off | Lock screen keys |
| | | Flash | On / Off | Display screen will flash when DMX connection is absent |
| | | Invert | Off / On | Flip screen display |
| | Dim Mode | Standard | | |
| | | Stage | | |
| | | TV | | |
| | | Architec | | |
| | | Theatre | | |
| | | Stage2 | | |
| | | 0.0s | | |
| | | 0.1s | | |
| | | 0.2s | | |
| | | 0.3s | | |
| | | 0.4s | | |
| | | 0.5s | | |
| | | 0.6s | | |
| | | 0.7s | | |
| 0.8s | | | | |
| 0.9s | | | | |
| 1.0s | | | | |
| 1.5s | | | | |

CONTINUED ON NEXT PAGE

SYSTEM MENU

| Magmatic Prisma Driver 8IP System Menu | | | | |
|-----------------------------------------|-------------------------|----------------|--|----------------|
| Default settings shown in bold | | | | |
| Supports Software Versions: 1.01 | | | | |
| FUNCTION (continued) | Dim Mode (continued) | 2.0s | | |
| | | 3.0s | | |
| | | 4.0s | | |
| | | 5.0s | | |
| | | 6.0s | | |
| | | 7.0s | | |
| | | 8.0s | | |
| | | 9.0s | | |
| | | 10.0s | | |
| | Disp Set | ADDR | | |
| | | Disp CH | | |
| | | Secondary | | Secondary mode |
| | Dim Curve | Linear | | |
| | | Square | | |
| | | Inv. Squa | | |
| | | S Curve | | |
| | Frequen | 900 Hz | | |
| | | 1000 Hz | | |
| | | 1100 Hz | | |
| | | 1200 Hz | | |
| | | 1300 Hz | | |
| | | 1400 Hz | | |
| | | 1500 Hz | | |
| | | 2500 Hz | | |
| | | 4000 Hz | | |
| | | 5000 Hz | | |
| | | 10 kHz | | |
| 15 kHz | | | | |
| 20 kHz | | | | |
| 25 kHz | | | | |
| CONTINUED ON NEXT PAGE | | | | |

SYSTEM MENU

| Magmatic Prisma Driver 8IP System Menu | | | | | |
|-----------------------------------------|-----------|-----------------|------------------|----------------------------------|-----------|
| Default settings shown in bold | | | | | |
| Supports Software Versions: 1.01 | | | | | |
| FUNCTION (continued) | Primary | On / Off | | Set device as Primary | |
| | DFSE | On / Off | | Restory factory default settings | |
| INFO | TimeInfo | Current | | Current fixture run time (hours) | |
| | | Total | | Total fixture run time (hours) | |
| | | Last | | Clear fixture run time | |
| | | Password | | "050" or "060" | |
| | Clear | On / Off | | | |
| | Model Inf | PD8IP | | | |
| | Software | V1.01 | | | |
| TEST | ManCtrl | Led1 | 000 - 255 | | |
| | | Led2 | 000 - 255 | | |
| | | Led3 | 000 - 255 | | |
| | | Led4 | 000 - 255 | | |
| | | Led5 | 000 - 255 | | |
| | | Led6 | 000 - 255 | | |
| | | Led7 | 000 - 255 | | |
| | | Led8 | 000 - 255 | | |
| | | Dimmer | 000 - 255 | | |
| | | Strobe | 000 - 255 | | |
| | Calibrat | Password | Led1 | | 050 - 255 |
| | | | Led2 | | 050 - 255 |
| | | | Led3 | | 050 - 255 |
| | | | Led4 | | 050 - 255 |
| | | | Led5 | | 050 - 255 |
| | | | Led6 | | 050 - 255 |
| | | | Led7 | | 050 - 255 |
| Led8 | | | | 050 - 255 | |

DMX CHANNEL FUNCTIONS & VALUES

| Magmatic Prisma Driver 8IP: DMX Channels / Functions | | | | |
|------------------------------------------------------|------|-----------|-----------|-----------------------------|
| Supports Software Versions: 1.01 | | | | |
| CHANNEL | | | DMX VALUE | FUNCTION |
| 8-CH | 9-CH | 12-CH Ext | | |
| 1 | 1 | 1 | 000 - 255 | LED Signal Output 1 |
| 2 | 2 | 2 | 000 - 255 | LED Signal Output 2 |
| 3 | 3 | 3 | 000 - 255 | LED Signal Output 3 |
| 4 | 4 | 4 | 000 - 255 | LED Signal Output 4 |
| 5 | 5 | 5 | 000 - 255 | LED Signal Output 5 |
| 6 | 6 | 6 | 000 - 255 | LED Signal Output 6 |
| 7 | 7 | 7 | 000 - 255 | LED Signal Output 7 |
| 8 | 8 | 8 | 000 - 255 | LED Signal Output 8 |
| | | 9 | 000 - 255 | Master Dimmer |
| | | 10 | 000 - 255 | Dimmer Fine |
| | | 11 | | Strobe |
| | | | 000 - 031 | Closed |
| | | | 032 - 063 | Open |
| | | | 064 - 095 | Strobe, slow to fast |
| | | | 096 - 127 | Open |
| | | | 128 - 159 | Pulse, slow to fast |
| | | | 160 - 191 | Open |
| | | | 192 - 223 | Random Strobe, slow to fast |
| | | 224 - 255 | Open | |
| | 9 | 12 | | Dim Mode |
| | | | 000 - 020 | Standard |
| | | | 021 - 040 | Stage |
| | | | 041 - 060 | TV |
| | | | 061 - 080 | Architectural |
| | | | 081 - 100 | Theatre |
| | | | 101 - 120 | Stage 2 |
| | | | | Dimmer Delay Time |
| | | | 121 | 0.0 s |
| | | | 122 | 0.1 s |
| | 123 | 0.2 s | | |

CONTINUED ON NEXT PAGE

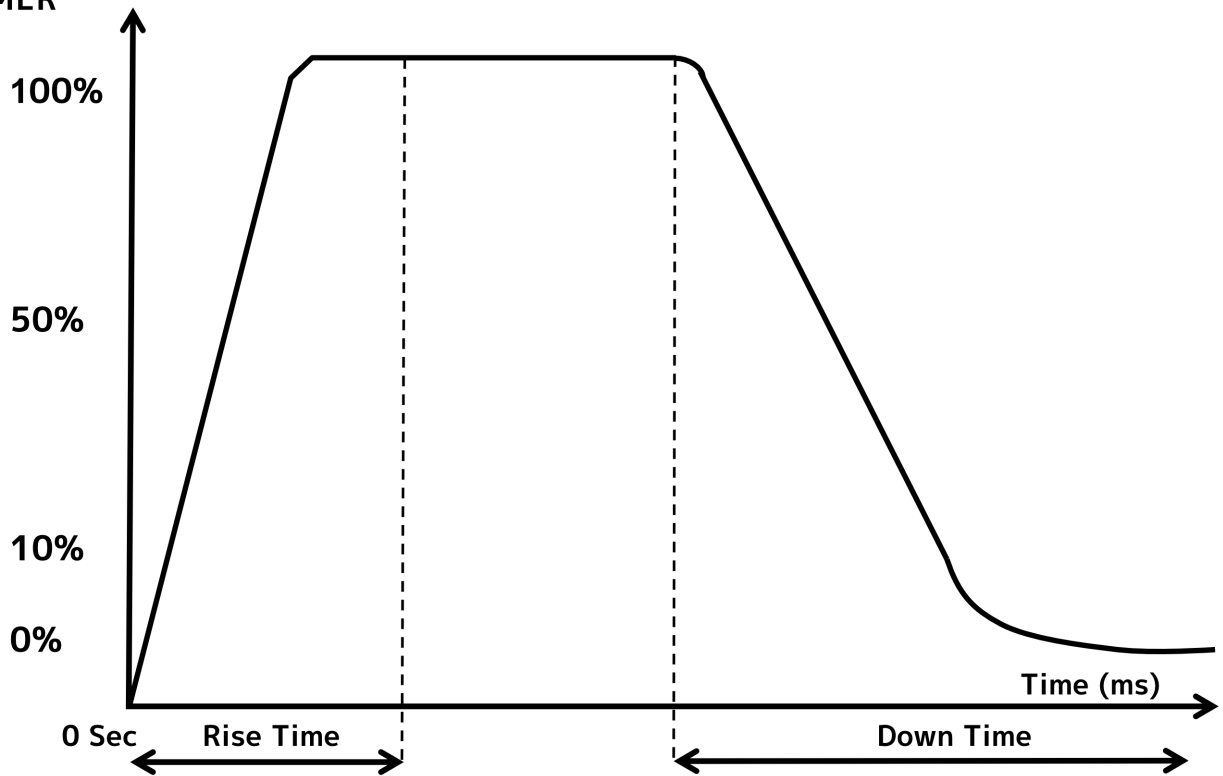
DMX CHANNEL FUNCTIONS & VALUES

| Magmatic Prisma Driver 8IP: DMX Channels / Functions | | | | |
|------------------------------------------------------|------|-----------|-----------|--------------------------------------|
| Supports Software Versions: 1.01 | | | | |
| CHANNEL | | | DMX VALUE | FUNCTION |
| 8-CH | 9-CH | 12-CH Ext | | |
| | | | | Dimmer Delay Time (continued) |
| | | | 124 | 0.3 s |
| | | | 125 | 0.4 s |
| | | | 126 | 0.5 s |
| | | | 127 | 0.6 s |
| | | | 128 | 0.7 s |
| | | | 129 | 0.8 s |
| | | | 130 | 0.9 s |
| | | | 131 | 1.0 s |
| | | | 132 | 1.5 s |
| | | | 133 | 2.0 s |
| | | | 134 | 3.0 s |
| | | | 135 | 4.0 s |
| | | | 136 | 5.0 s |
| | | | 137 | 6.0 s |
| | | | 138 | 7.0 s |
| | | | 139 | 8.0 s |
| | | | 140 | 9.0 s |
| | | | 141 | 10.0 s |
| | | | 132 - 255 | Default (0.1s) |

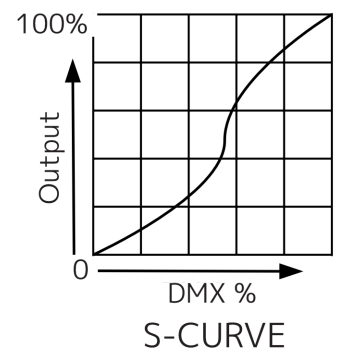
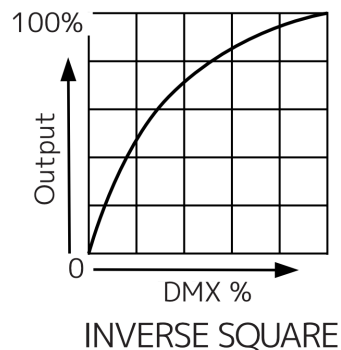
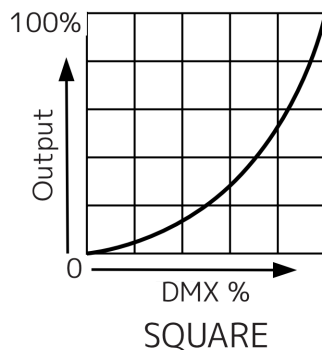
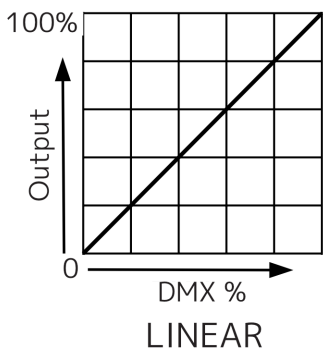
DIMMER MODES

Select desired DIMMER MODE (**Standard**, Stage, TV, Architectural, Theatre, Stage2).

DIMMER



| Dimming Curve Ramp Effect | 0 sec Fade Time | | 1 sec Fade Time | |
|------------------------------|-----------------|----------------|-----------------|----------------|
| | Rise Time (ms) | Down Time (ms) | Rise Time (ms) | Down Time (ms) |
| Standard (default) | 0 | 0 | 0 | 0 |
| Stage | 780 | 1100 | 1540 | 1660 |
| TV | 1180 | 1520 | 1860 | 1940 |
| Architectural | 1380 | 1730 | 2040 | 2120 |
| Theatre | 1580 | 1940 | 2230 | 2280 |



SPECIFICATIONS

CONSTRUCTION

Rugged IP65 Housing
Easy Keyhole Slots for Wall/Surface Mounting

CONTROL

Multiple DMX Channel Modes
Onboard 4 Button Touch Control Panel
DMX-512 and RDM Protocol Support

CONNECTIONS

8x 4pin locking output sockets (8 PRISMA MINI fixtures max)
Locking 5pin XLR Connector In/Out
IP65 Locking Power Connector In/Out
With Wired Digital Communication Network

SIZE / WEIGHT

Length: 9.0 in. (227.8mm)
Width: 10.4 in. (264mm)
Height: 4.2 in. (105.9mm)
Weight: 8.05 lbs. (3.65 kg)

ELECTRICAL

AC90-240V, 50-60Hz
48VDC 8.3A
167W Max Power Consumption

THERMAL

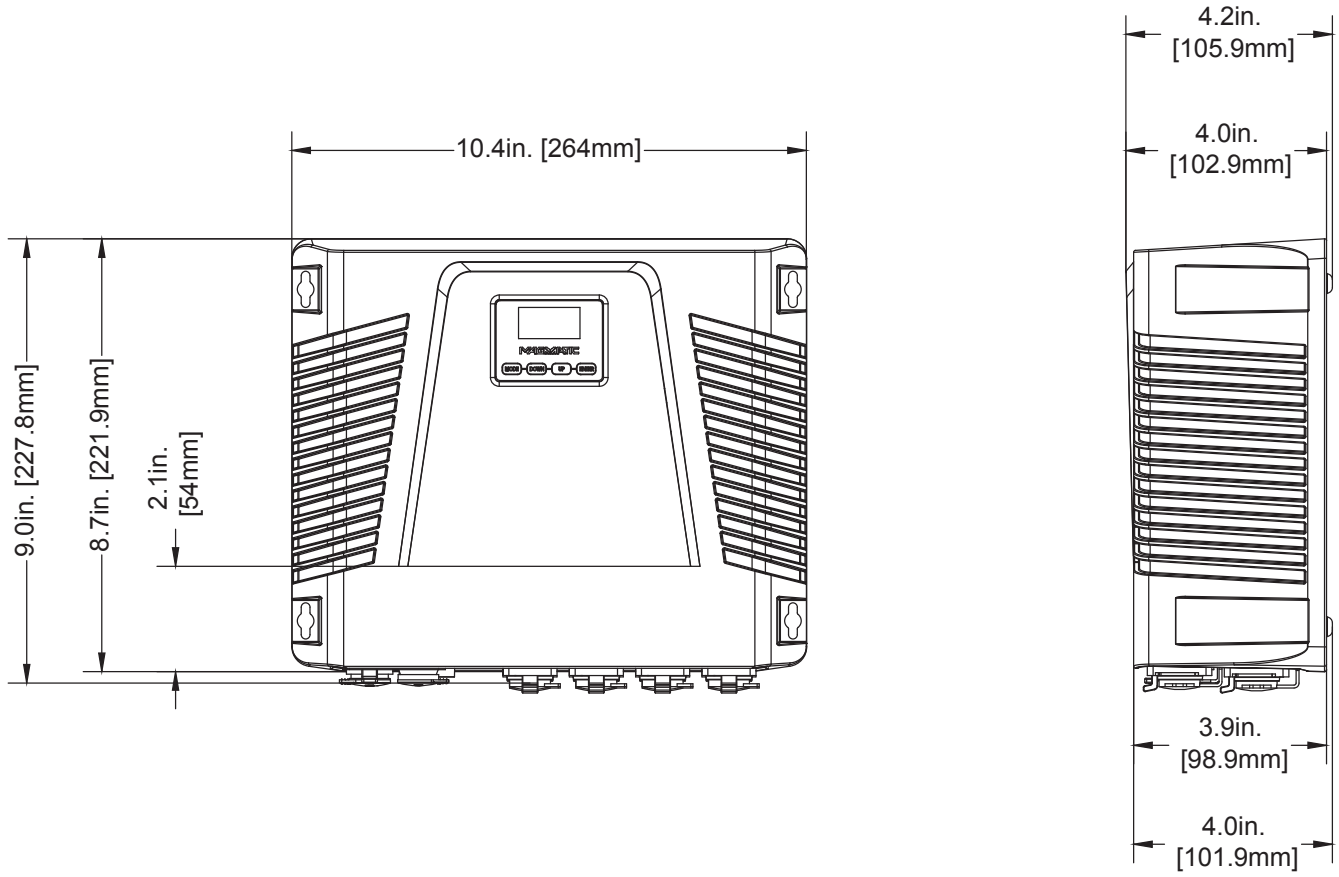
Maximum Temperature (Ambient): 113° F (45° C)
Minimum Temperature (Ambient): 14° F (-10° C)

APPROVALS / RATINGS

CE | cETLus *Pending | IP65 (Temporary outdoor use only)

Specifications and documentation subject to change without notice.

DIMENSIONAL DRAWINGS



OPTIONAL ACCESSORIES

| SKU NUMBER | DESCRIPTION |
|------------|---------------------------------------------------------------------------------------|
| STR501 | 1.64ft (0.5m) IP Rated 5pin DMX XLR Cable |
| STR514 | 3ft (1.0m) IP Rated 5pin DMX XLR Cable |
| STR527 | 5ft (1.5m) IP Rated 5pin DMX XLR Cable |
| STR540 | 10ft (3.05m) IP Rated 5pin DMX XLR Cable |
| STR553 | 16ft (4m) IP Rated 5pin DMX XLR Cable |
| STR566 | 25ft (7m) IP Rated 5pin DMX XLR Cable |
| STR578 | 50ft (15.2m) IP Rated 5pin DMX XLR Cable |
| STR592 | 100ft (30.4m) IP Rated 5pin DMX XLR Cable |
| PIXEL BC2 | 2ft (0.6m) IP65 Rated 16AWG 4pin Power/Data Shielded Cable |
| PIXEL BC3 | 3ft (1m) IP65 Rated 16AWG 4pin Power/Data Shielded Cable |
| PIXEL BC5 | 5ft (1.5m) IP65 Rated 16AWG 4pin Power/Data Shielded Cable |
| PIXEL BC10 | 10ft (3m) IP65 Rated 16AWG 4pin Power/Data Shielded Cable |
| PIXEL BC12 | 12ft (3.5m) IP65 Rated 16AWG 4pin Power/Data Shielded Cable |
| PIXEL BC15 | 15ft (4.5m) IP65 Rated 16AWG 4pin Power/Data Shielded Cable |
| PIXEL BC20 | 20ft (6m) IP65 Rated 16AWG 4pin Power/Data Shielded Cable |
| PIXEL BC25 | 25ft (7.5m) IP65 Rated 16AWG 4pin Power/Data Shielded Cable |
| PIXEL BC30 | 30ft (9m) IP65 Rated 16AWG 4pin Power/Data Shielded Cable |
| PIXEL PC50 | 50ft (15m) IP65 Rated 16AWG 4pin Power/Data Shielded Cable |
| SIP064 | 1.64ft (.5m) IP65 rated male to female power twist lock link cable |
| SIP113 | 3ft (.9m) 3 x 14AWG IP65 rated male to female power twist lock link cable |
| SIP126 | 5ft (1.5m) 3 x 14AWG IP65 rated male to female power twist lock link cable |
| SIP139 | 10ft (3m) 3 x 14AWG IP65 rated male to female power twist lock link cable |
| SIP152 | 16ft (4.8m) 3 x 14AWG IP65 rated male to female power twist lock link cable |
| SIP165 | 25ft (7.6m) 3 x 14AWG IP65 rated male to female power twist lock link cable |
| SIP178 | 50ft (15.2m) 3 x 14AWG IP65 rated male to female power twist lock link cable |
| SIP191 | 100ft (30.5m) 3 x 14AWG IP65 rated male to female power twist lock link cable |
| SIP1MPC10 | 10ft (3m) IP65 twist lock to standard 3-prong Edison main power cable |
| SIP1MPC15 | 15ft (4.5m), 3 x 14AWG, IP65 power twist lock to standard 3-prong Edison plug cable |
| SIP1MPC25 | 25ft (7.6m), 3 x 14AWG, IP65 power twist lock to standard 3-prong Edison plug cable |
| SIP1MPC50 | 50ft (15.2m), 3 x 14AWG, IP65 power twist lock to standard 3-prong Edison plug cable |
| SIP1MPC100 | 100ft (30.5m), 3 x 14AWG, IP65 power twist lock to standard 3-prong Edison plug cable |

Specifications and documentation subject to change without notice.

This page intentionally left blank.

